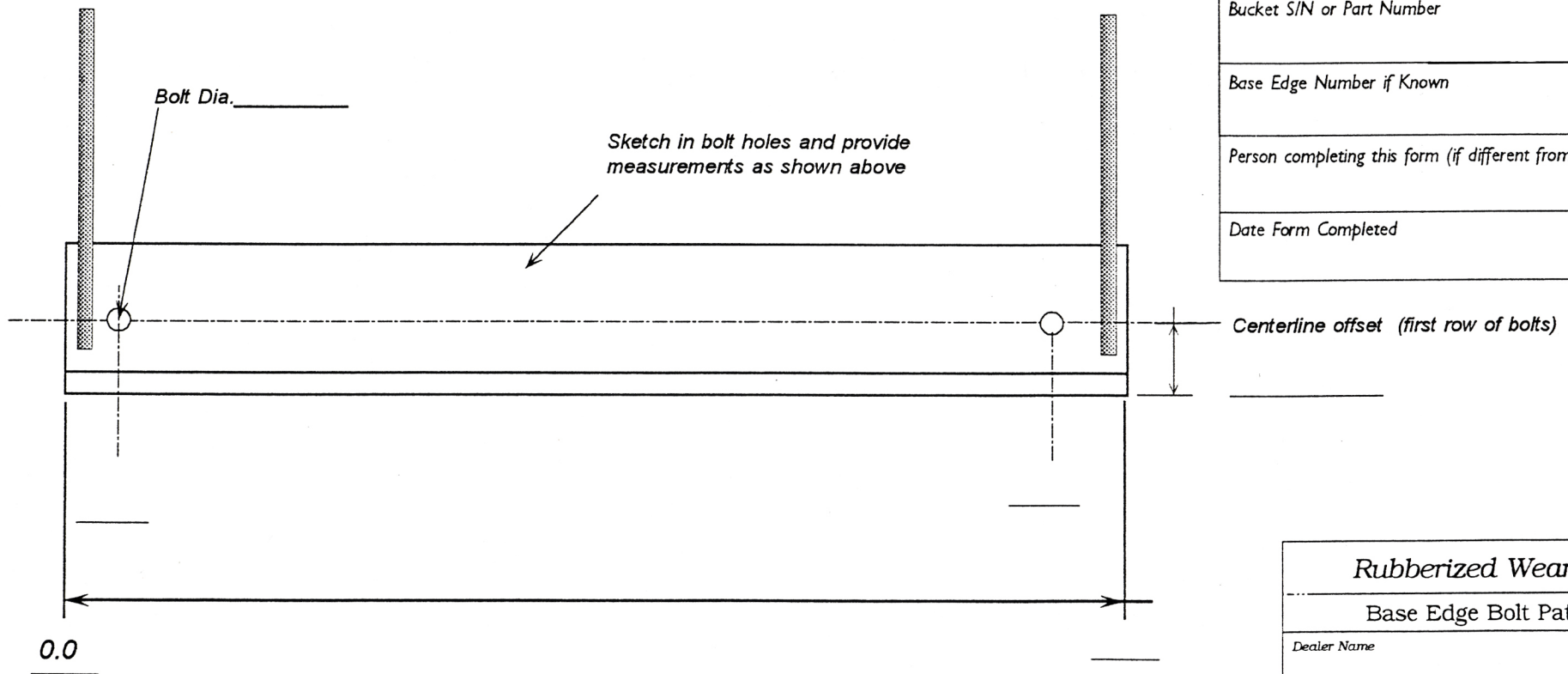


Machine information

Customer Name
Customer Phone
Contact Name
Machine Make & Model
Customer Equipment number
Bucket Manufacturer if not OEM
Bucket SIN or Part Number
Base Edge Number if Known
Person completing this form (if different from contact name)
Date Form Completed



Rubberized Wear Pad

Base Edge Bolt Pattern

Dealer Name
Dealer Phone
Contact Name

Technical assistance needed?
 Sales: 508-509-2257 Office: 508-999-4124